

SECTION 7

SCHEMATIC DIAGRAMS AND PRINTED CIRCUIT BOARDS

FIGURE	TITLE	PAGE
7-1	Power Supply Printed Circuit Board	43
7-2	Power Supply Schematic Diagram	43
7-3	Overall Printed Circuit Board	44
7-4	Overall Schematic Diagram	45,46
7-5	Matching Transistor Circuits	47

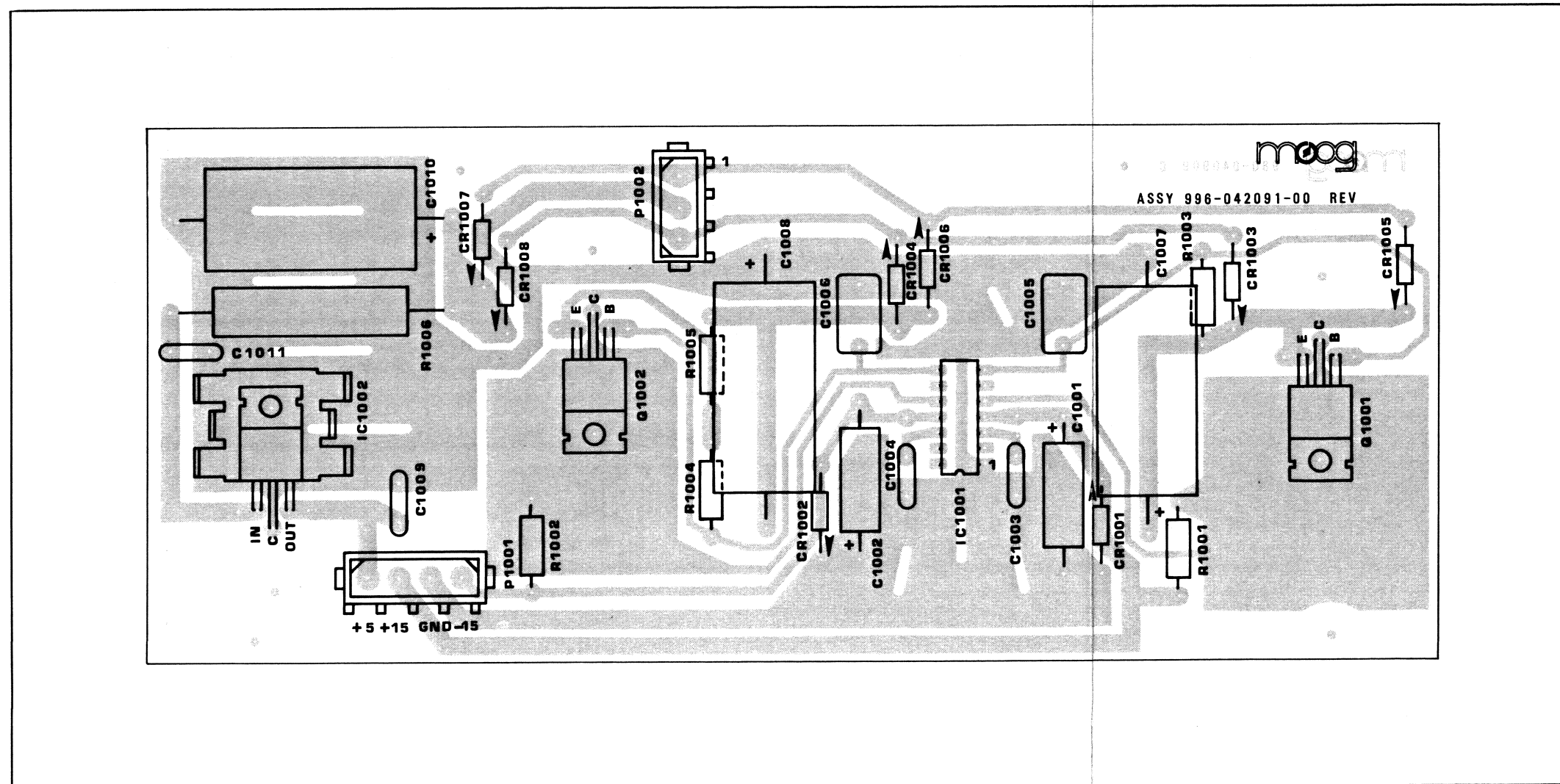


FIGURE 7-1 POWER SUPPLY PRINTED CIRCUIT BOARD

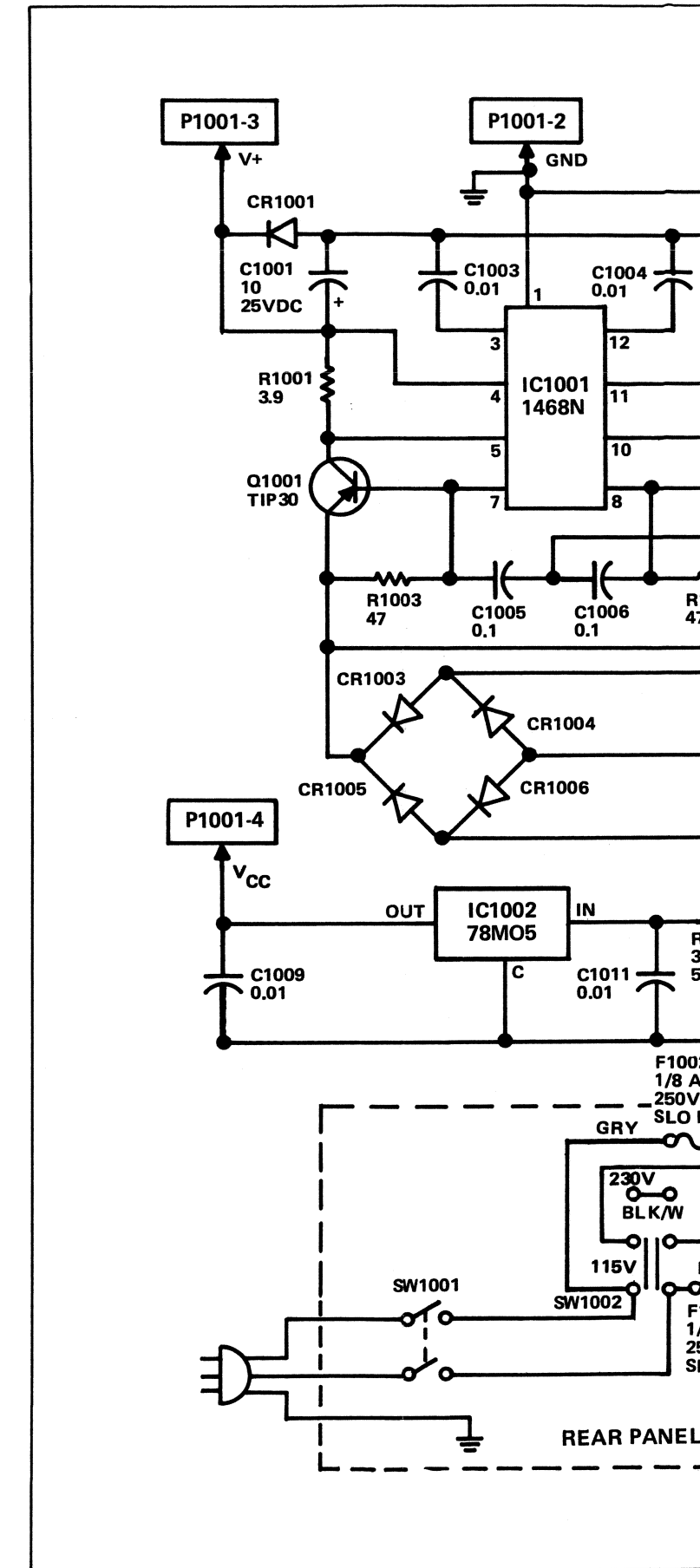
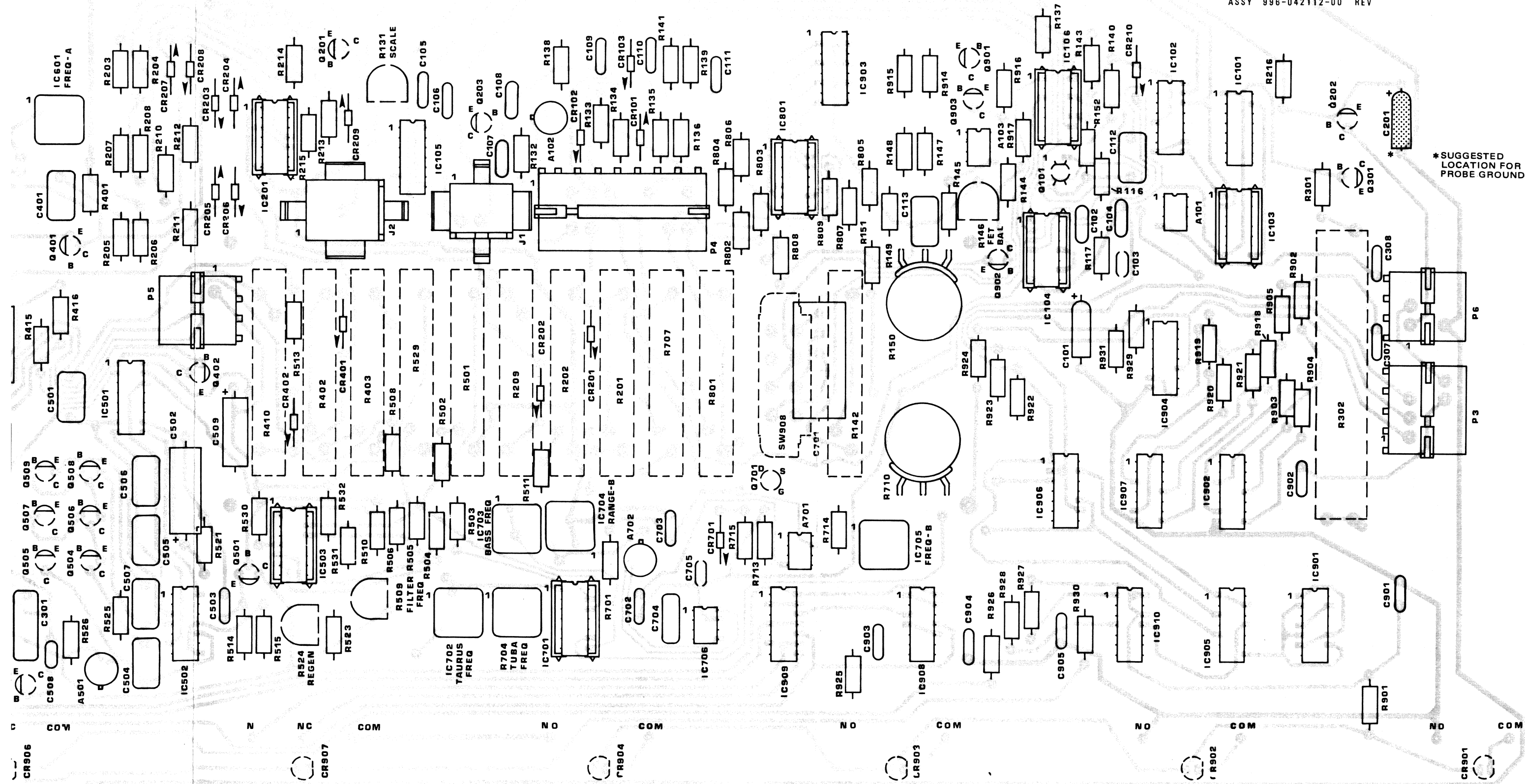


FIGURE 7-2 POWER SUPPLY SCHEMATIC DIAGRAM



*SUGGESTED LOCATION FOR PROBE GROUND

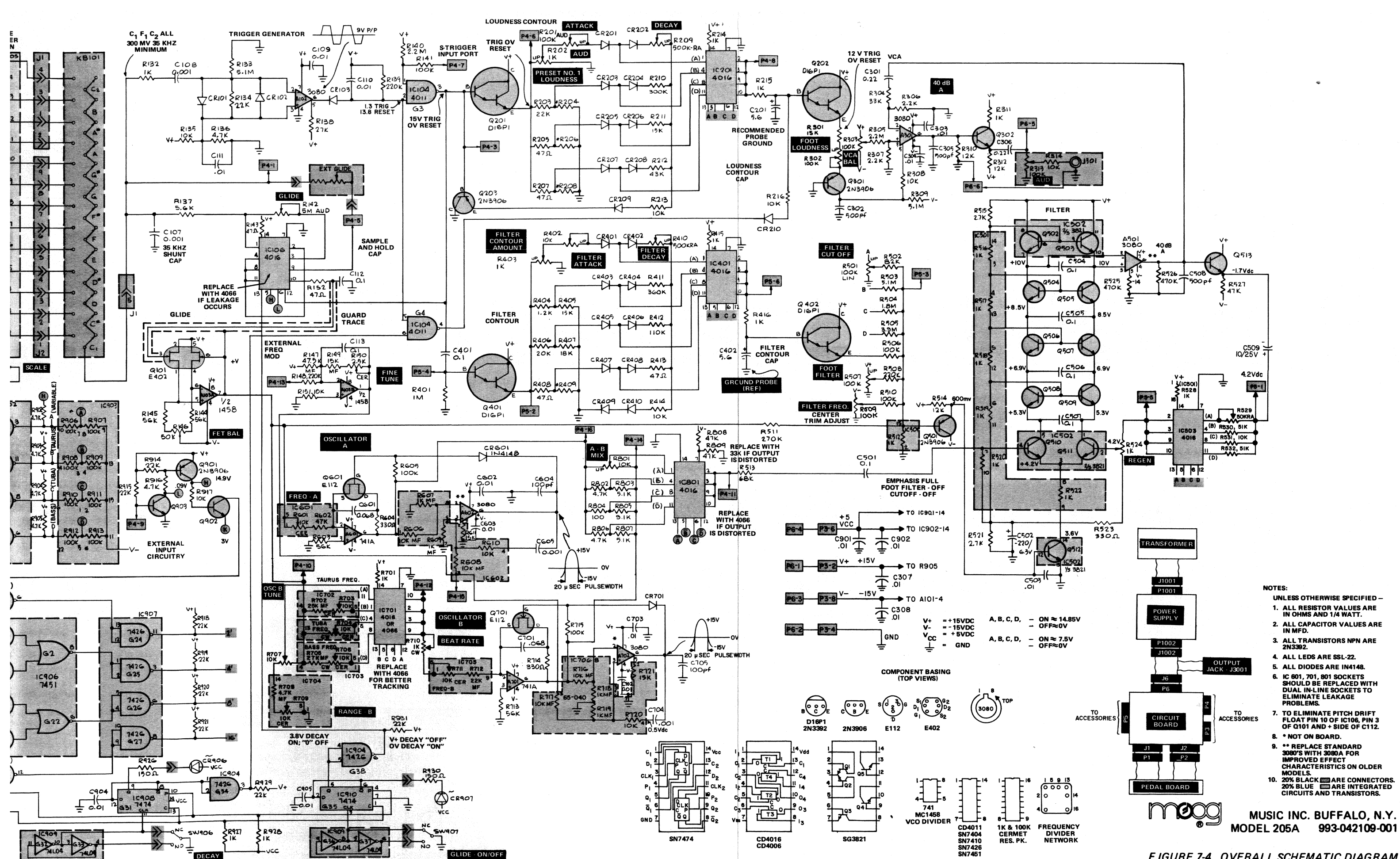


FIGURE 7-4 OVERALL SCHEMATIC DIAGRAM

MUSIC INC. BUFFALO, N.Y.
MODEL 205A 993-042109-001